

Industrial high bay luminaires designed for lighting large indoor or outdoor areas at heights more than 6 meters. Two part luminaire consist of reflector and electrical unit. Universal mounting on top of housing for simple installation either chains or steel pipe. Housing made of high purity anodized spun aluminium alloy. Control gear housing made of die cast aluminium with fins to heat dissipation. Open version IP 22, Close version IP54(for addition). Electrical class I 220 Volts. 50 Hz.



Applications

For industrial area, such as general assembly, production lines, ware hours, storage areas, food processing areas and other indoor or outdoor lighting where requirement high level of illumination

Control Gear

Integral with power factor (P.F.) correction not less than 0.9

Optics/Material

Reflector made of anodized aluminum

Lamps

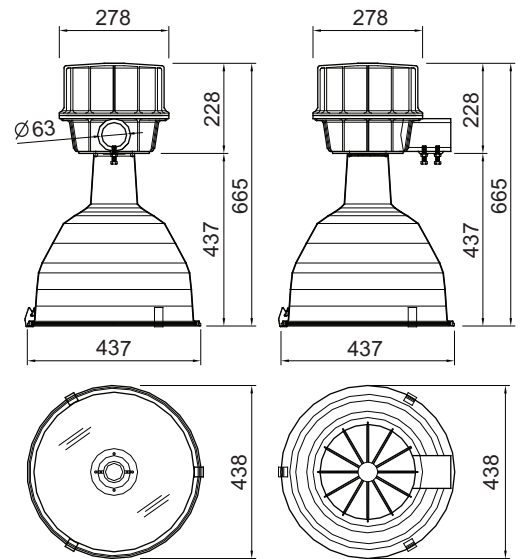
250W-400W High Pressure Sodium or Metal Halide or High Pressure Mercury Lamp

Materials/finish

Body : Die cast aluminium, Back paint coating
 Reflector cover : heat resistant, toughened glass
 Catches : Stainless steel

Mounting

Steel pipe or suspension chain



Dimensions in mm.

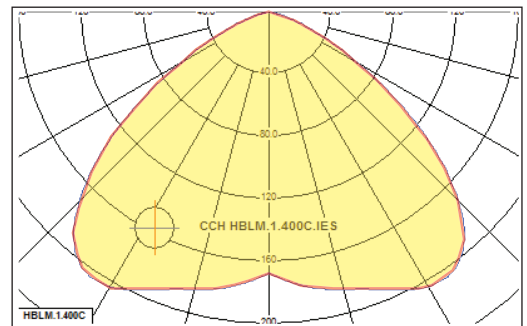
ORDER CODE

Type	Lamp
HBL.1.250C	High Pressure Sodium 250W.
HBL.1.400C	High Pressure Sodium 400W.
HBLH.1.250C	Metal Halide 250W.
HBLH.1.400C	Metal Halide 400W.
HBLM.1.250C	High Pressure Mercury 250W.
HBLM.1.400C	High Pressure Mercury 400W.

LS = High Pressure Sodium, LH = Metal Halide
 LM = High Pressure Mercury

Complete custom design, and photometric data available upon request

Polar Curve



Iso-Lux Diagram

