

This luminaire with classic style housing made of corrosion resistant die cast aluminium alloy finished with the special acrylic resin combined with the best available gold pigment to give superb shine of gold and excellent outdoor durability. Enclosed by vandal resistant opal/clear/sand blasted glass diffuser suitable for private areas, public areas, parks, gardens, avenue or other areas where beautiful lighting environment is desired. Ready for connecting to 220V, 50Hz, single phase, two wire electrical supply. IP54



Applications

For parks, gardens, avenue, urban street

Control Gear

Integral with power factor (P.F.) correction not less than 0.9

Optics/Material

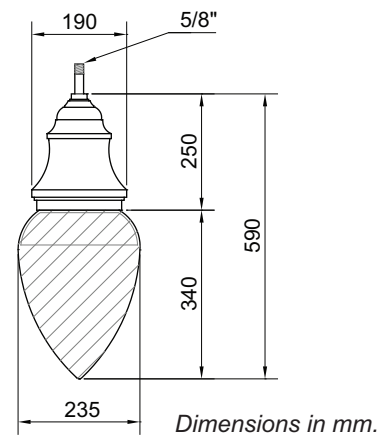
Reflector, made of high purity anodized aluminium

Lamps

150W-250W High Pressure Sodium or Metal Halide Lamp
80W-125W High Pressure Mercury Lamp

Materials/finish

Body : Die cast aluminium alloy, Gold paint coating
Cover : Vandal resistant glass

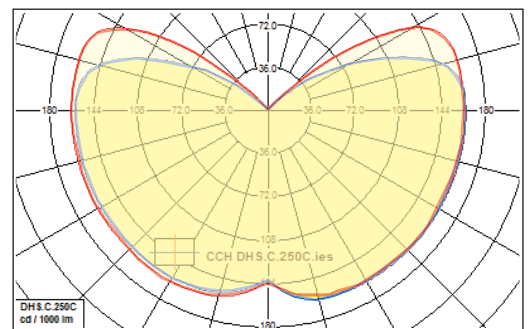


ORDER CODE

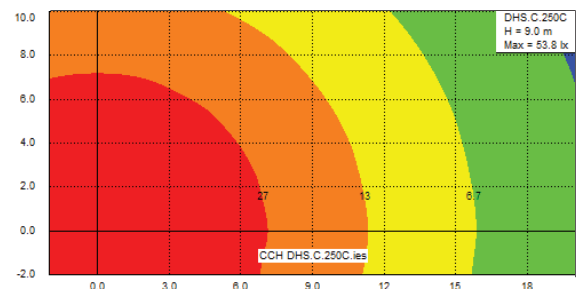
Type	Lamp
DHS.C.150C	High Pressure Sodium 150W.
DHS.C.250C	High Pressure Sodium 250W.
DMH.C.150C	Metal Halide 150W.
DMH.C.250C	Metal Halide 250W.
DLM.C.80C	High Pressure Mercury 80W.
DLM.C.125C	High Pressure Mercury 125W.

HS = High Pressure Sodium, MH = Metal Halide
LM = High Pressure Mercury

Polar Curve



Iso-Lux Diagram



Complete custom design, and photometric data available upon request