

The New HS, MH, and LM series offered a high durability in the most stringent tropical environment. This die-cast aluminium body, lens housing provide protection against water and road vibration. Its free flow figure, compose of non-corrodible material housing, made for a very long lasting and attractive environment blending looks. Glass cover is made of high pressure heat-resistance tempered glass which is locked in place by stainless steel hinges and snap catches IP65 protection of reflector housing tested according to international standard. Conforming to EN60598, IP 65 Class I 220 Volt 50Hz supply



### Applications

For roadway and streetlight, warehouse, docks, interchanges, stock yards, airport or parking area

### Control Gear

Integral with power factor (P.F.) correction not less than 0.9

### Optics/Material

Reflector, made of high purity anodized aluminum

### Lamps

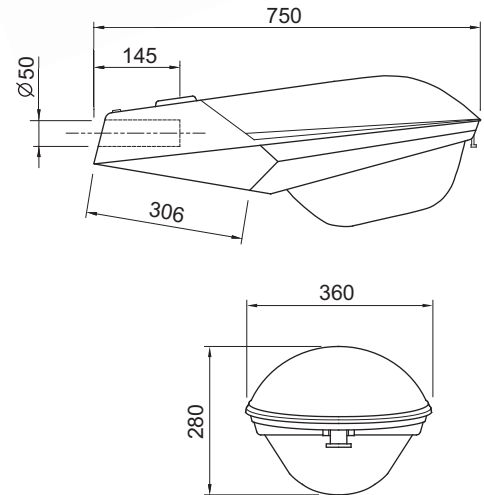
- 150W-400W High Pressure Sodium Lamp
- 250W-400W Metal Halide Lamp
- 125W-250W High Pressure Mercury Lamp

### Materials/finish

Body : Die Cast noncorrodible aluminum alloy, Gray paint coating  
 Reflector cover : heat resistant, toughened glass  
 Catches : Stainless steel

### Mounting

Poles (Side entry)



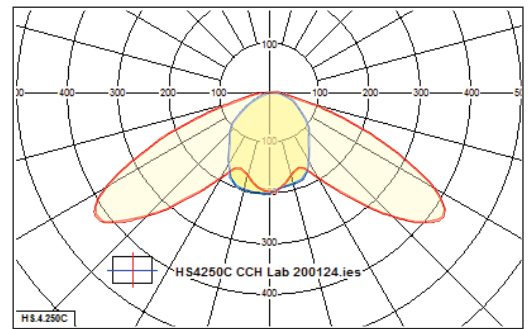
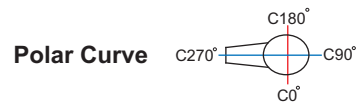
Dimensions in mm.

## ORDER CODE

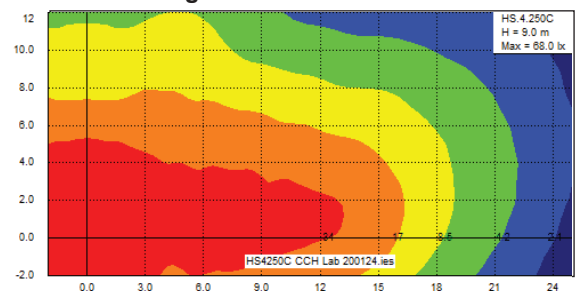
Type	Lamp
HS.4.150C	High Pressure Sodium 150W.
HS.4.250C	High Pressure Sodium 250W.
HS.4.400C	High Pressure Sodium 400W.
MH.4.250C	Metal Halide 250W.
MH.4.400C	Metal Halide 400W.
LM.4.125C	High Pressure Mercury 125W.
LM.4.250C	High Pressure Mercury 250W.
LM.4.250C(LH)	High Pressure Mercury 250W. or High Pressure Sodium 250W.(without Ignitor)

HS = High Pressure Sodium, MH = Metal Halide  
 LM = High Pressure Mercury

Complete custom design, and photometric data available upon request



### Iso-Lux Diagram



RD-RL-003/Rev. No.01