

The new LED street light luminaire provides improved horizontal and vertical uniformity and reduced glare. This die-cast aluminium body combines strength, reliability and optimum photometric performance using LED technology minimizes light emission towards the upper hemisphere and provides a high degree of protection (IP65). It contains no hazardous materials for friendly environment. It provides a 20 to 30 percent reduction in system energy consumption and reduces maintenance frequency and has an estimated service life of more than 50,000 hours rated life (more than 10 years).

Applications

For roadway lighting, urban environments, government & municipal, pedestrian & recreation, or public facility lighting

LED Driver

The LED driver is situated in an independently mounted compartment in the optical assembly

Optics

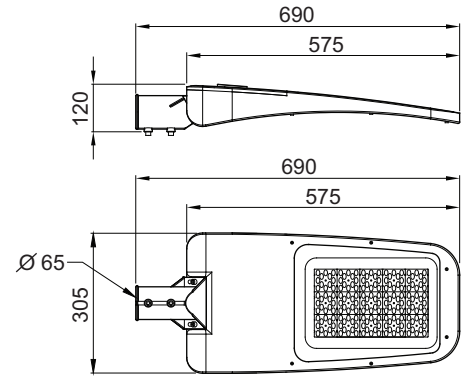
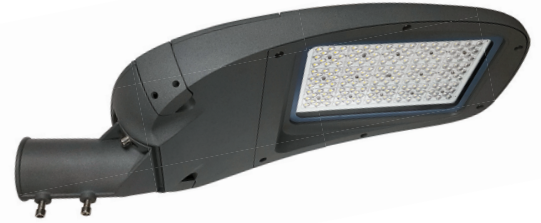
Optical assembly hermetically sealed providing IP65 protection & replaceable CRI >70, CCT 3000, 4000 or 5000 Kelvin, 120 lm/W. Type II Streetlight

Life time

50,000 hours

Installation / Mounting

Side entry or pole top mounting Ø60 mm. bracket



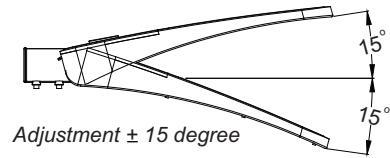
Dimensions in mm.



Side entry



Pole top



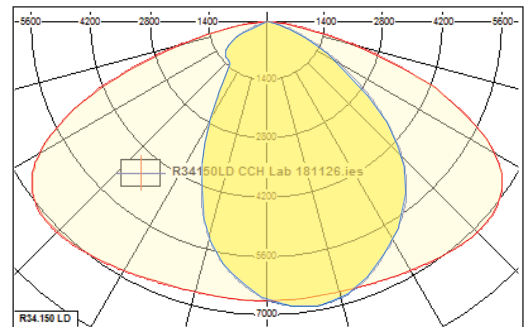
Adjustment ± 15 degree

ORDER CODE

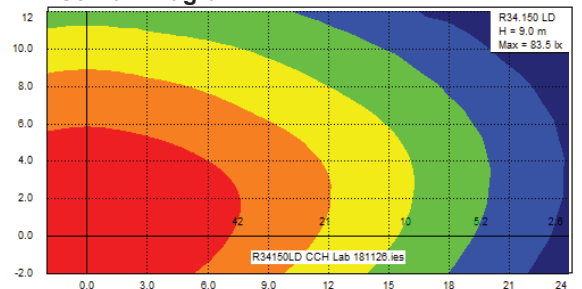
Type	Lamp
R34.150.LD	LED 150 W.

Complete custom design, and photometric data available upon request

Polar Curve



Iso-Lux Diagram



RD-RL-029/Rev./No.01